




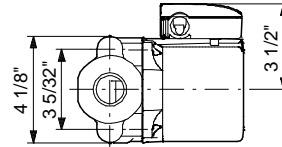
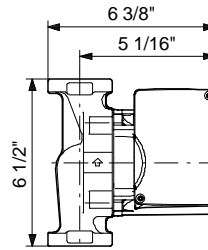
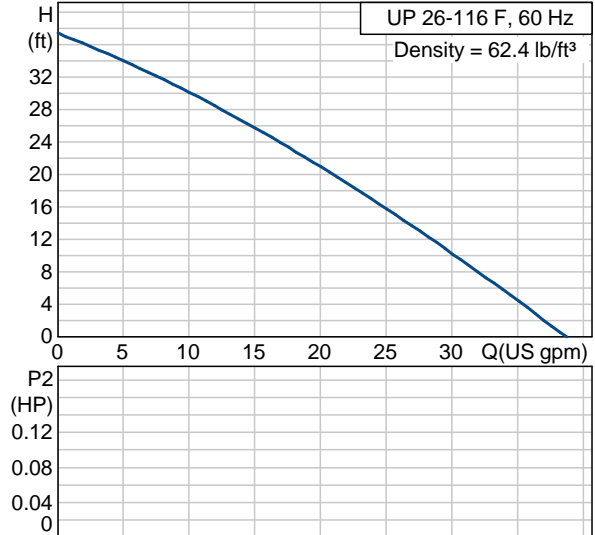
Position	Count	Description	Unit price
	-1	<p>UP 26-116</p>  <p>Product photo could vary from the actual product</p> <p>Product No.: 52722377</p> <p>The pump is of the canned rotor type, i.e. pump and motor form an integral unit without shaft seal and with only two gaskets for sealing. The bearings are lubricated by the pumped liquid. The pump is characterized by:</p> <ul style="list-style-type: none"> * Ceramic shaft and radial bearings. * Carbon axial bearing. * Stainless steel rotor can and bearing plate. * Corrosion-resistant impeller, Composite, PES. * Cast iron pump housing. <p>The motor is a 1-phase motor. No additional motor protection is required.</p> <p>Liquid: Liquid temperature range: 32 .. 149 °F Density: 62.4 lb/ft³</p> <p>Technical: Maximum operating pressure: 145 psi Approvals on nameplate: UL, CSA</p> <p>Materials: Pump housing: Cast iron EN-JL1030 ASTM 30 B Impeller: Composite, PES</p> <p>Installation: Maximum ambient temperature: 104 °F Ambient max at 176°F liquid: 176 °F Maximum operating pressure: 145 psi Flange standard: USA Oval Type of connection: C.I. Flange Pipe connection: 2 - Bolt Flange Pressure stage: 10 Port-to-port length: 6 1/2 in</p>	On request



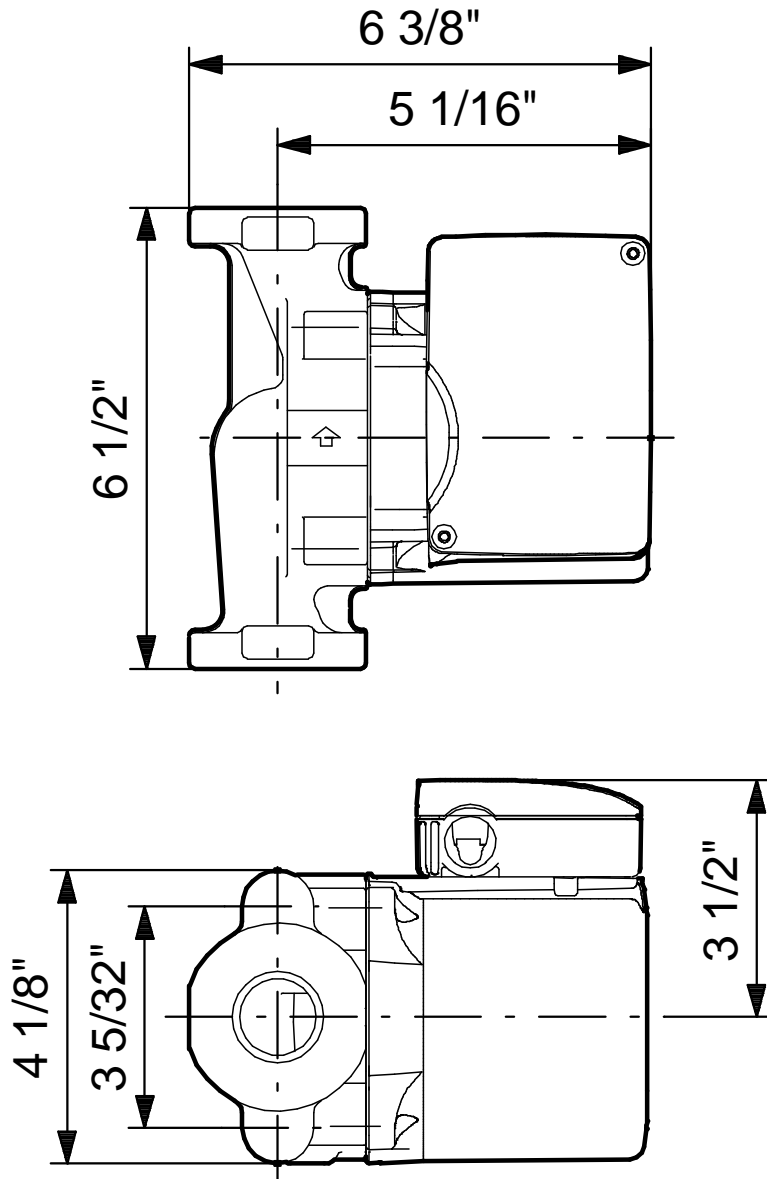
Company name: -
Created by: -
Phone: -
Fax: -
Date: -

Position	Count	Description	Unit price
		<p>Electrical data:</p> <p>Number of poles: 2 Max. power input: 385 W Rated power - P2: 0.161 HP Main frequency: 60 Hz Rated voltage: 1 x 230 V Current in speed 3: 1.8 A Capacitor size - run: 2.5 μF/380 V Insulation class (IEC 85): F</p> <p>Others:</p> <p>Gross weight: 11.5 lb</p>	

Description	Value
Product name:	UP 26-116 F
Product Number:	52722377
EAN number:	5700394446129
Technical:	
Speed Number:	1
Max flow:	37 US gpm
Head max:	37.1 ft
Maximum operating pressure:	145 psi
Approvals on nameplate:	UL, CSA
Materials:	
Pump housing:	Cast iron EN-JL1030 ASTM 30 B
Impeller:	Composite, PES
Installation:	
Maximum ambient temperature:	104 °F
Ambient max at 176°F liquid:	176 °F
Maximum operating pressure:	145 psi
Flange standard:	USA Oval
Type of connection:	C.I. Flange
Pipe connection:	2 - Bolt Flange
Pressure stage:	10
Port-to-port length:	6 1/2 in
Liquid:	
Liquid temperature range:	32 .. 149 °F
Density:	62.4 lb/ft ³
Electrical data:	
Number of poles:	2
Max. power input:	385 W
Rated power - P2:	0.161 HP
Main frequency:	60 Hz
Rated voltage:	1 x 230 V
Current in speed 3:	1.8 A
Capacitor size - run:	2.5 µF/380 V
Insulation class (IEC 85):	F
Motor protection:	CONTACT
Thermal protec:	internal
Controls:	
Pos term box:	9H
Others:	
Gross weight:	11.5 lb



52722377 UP 26-116 F 60 Hz



Note! All units are in [mm] unless others are stated.
Disclaimer: This simplified dimensional drawing does not show all details.